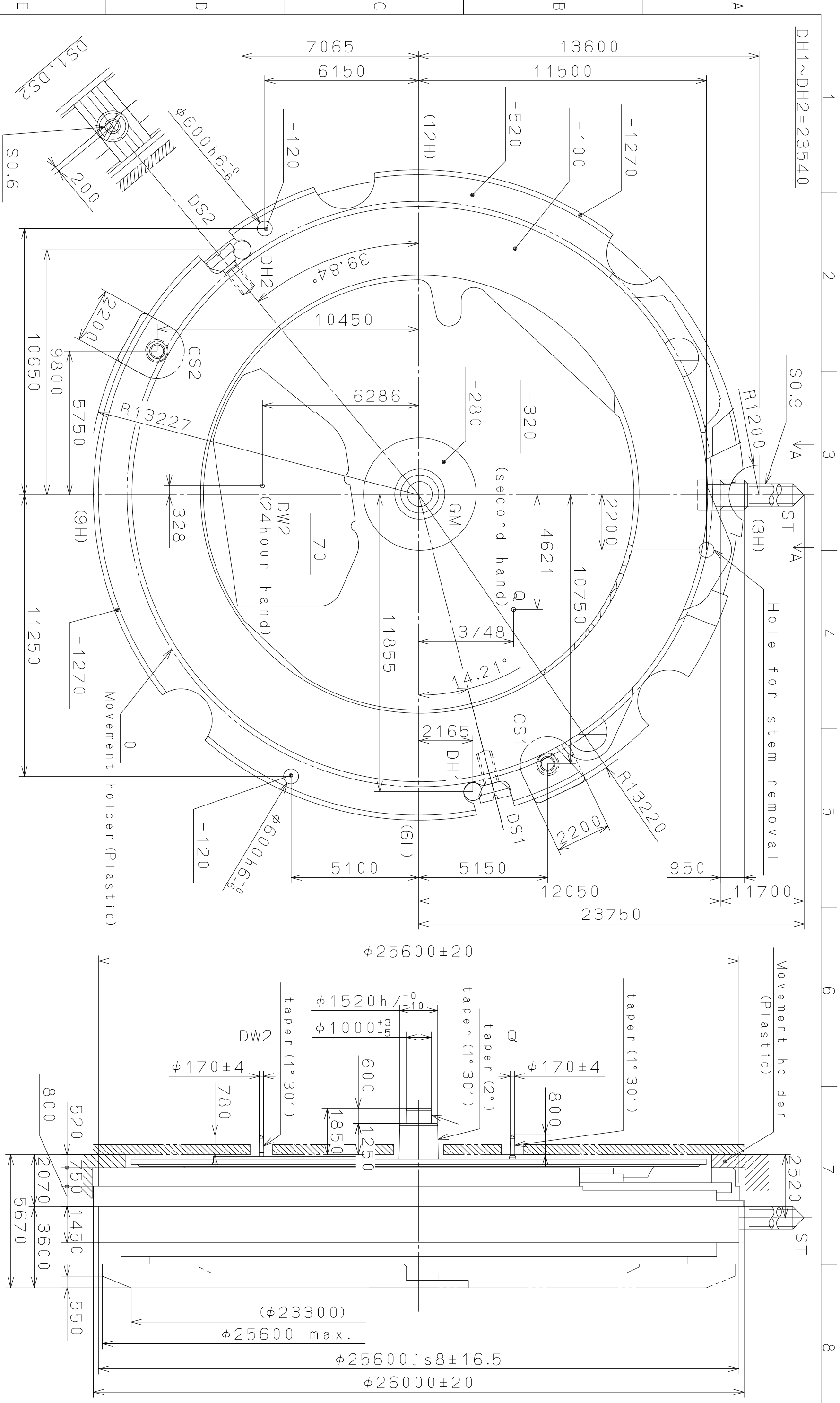


This drawing is provisional and subject to our reconfirmation and/or revision without notice.



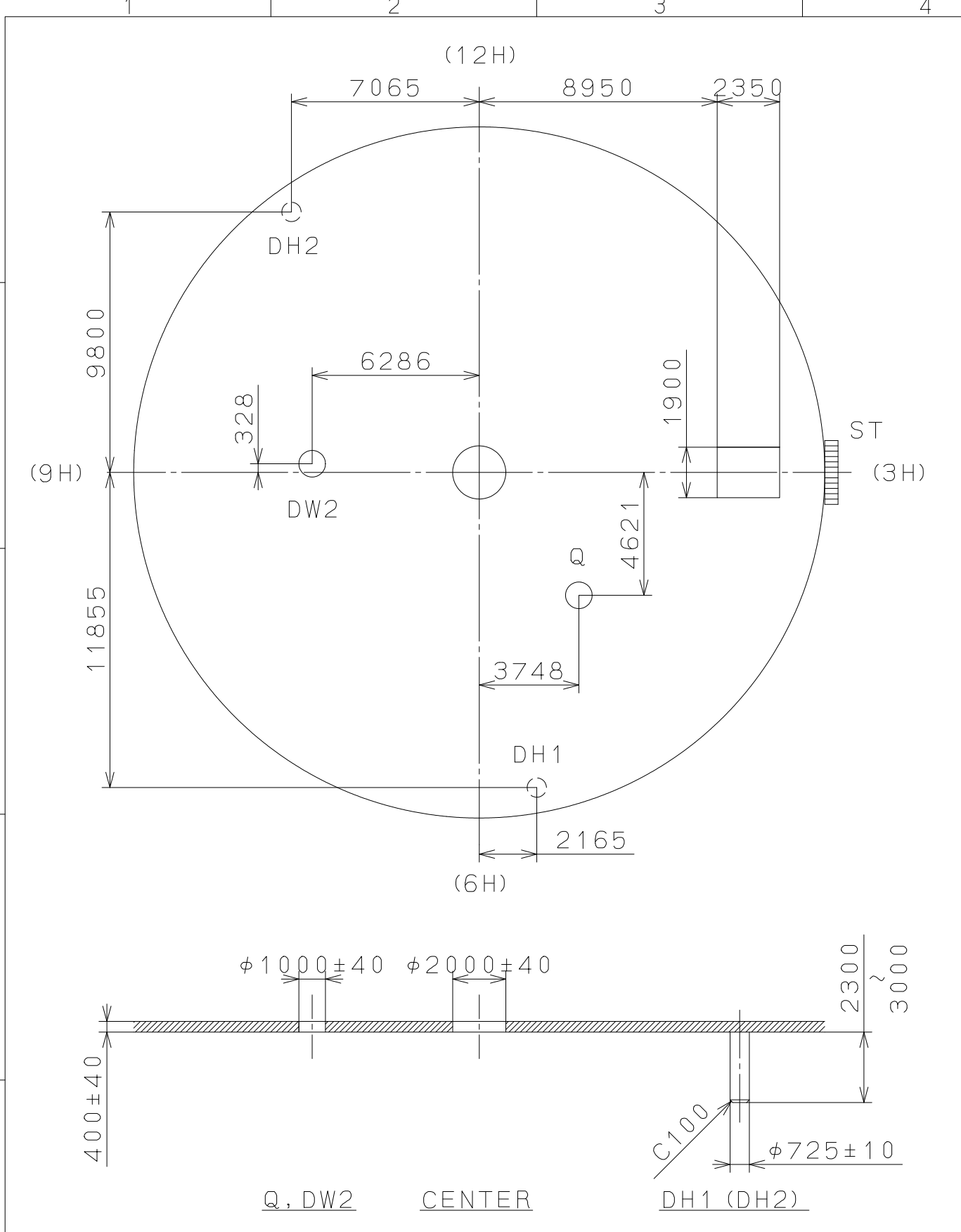
Mark	Date	Description	Appo.	Checked	Drawn	Part No.	Calc. No.	
Δ								
Δ								
Δ								
Δ								
Δ								
Δ								
Δ								
Material	Alterations						Unit	1/1000 mm
Heat Treatment							Scale	7:1
Hardness							Date	
Plating							Drawn	
							Checked	N. Suzuki
							Appo.	
Name: Frame for Case								
Drawing No.: 8219C002								
Cal. No.: 8219								
Parts No.:								

Section CS1, CS2

View A-A

2010/06/01 (12:49:15)

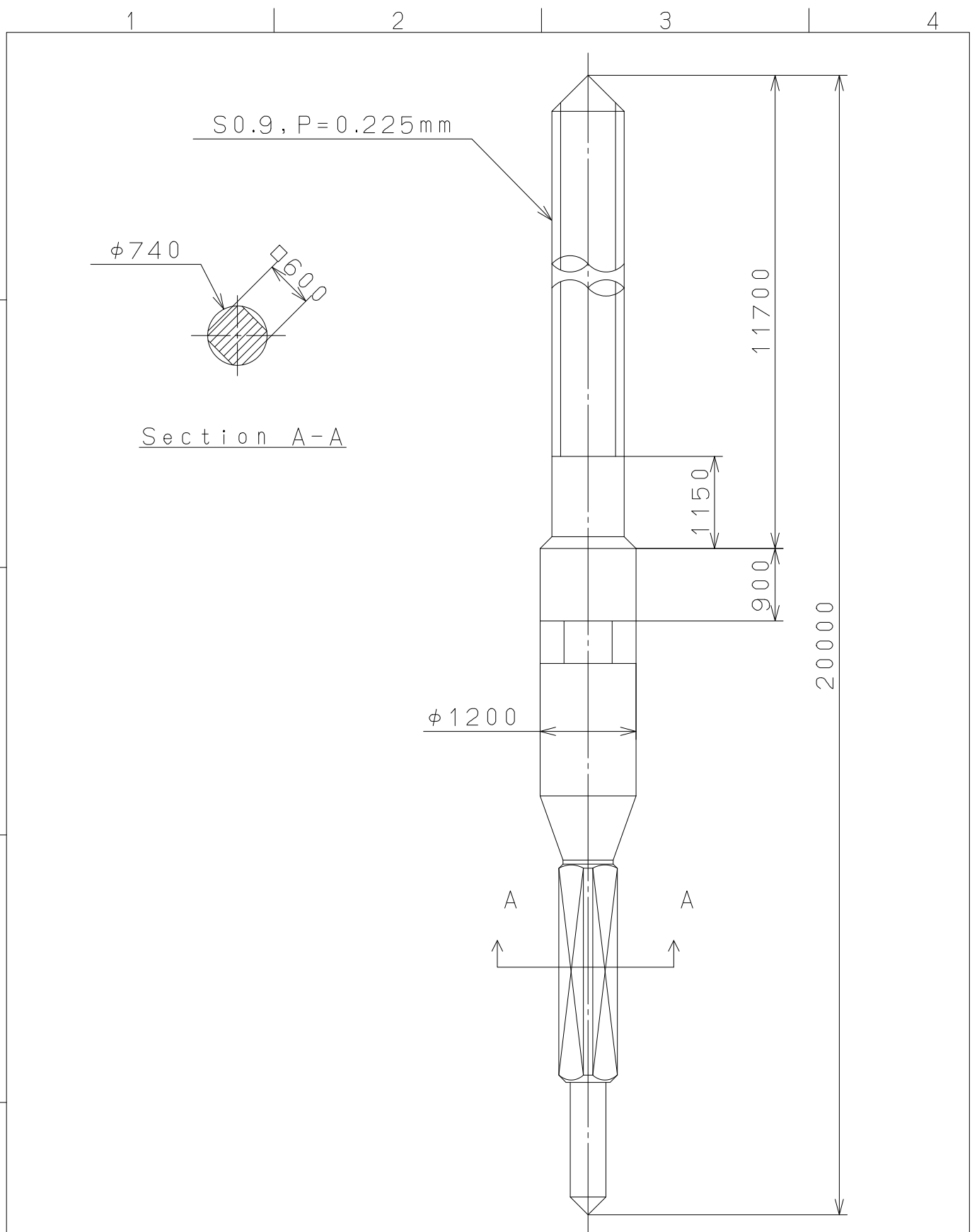
This drawing is provisional and subject to our reconfirmation and/or revision without notice.



△			Quantity		Cal.NO.:
△			Unit	1/1000mm	8219-21A
△			Scale	5:1	Parts No.:
△			Date		
△			Drawn		
Mark	Date	Description	Appr.	Checked	Name:
		Alterations	Approved	N. Suzuki	Indications for Dial
Material					Drawing No.:8219D000
Heat Treatment			General Tolerances	<b>MIYOTA</b> CITIZEN WATCH CO.,LTD. TOKYO,JAPAN	
Hardness			Dimensions		
Plating			Angles		

2008/11/14 (11:30:42)

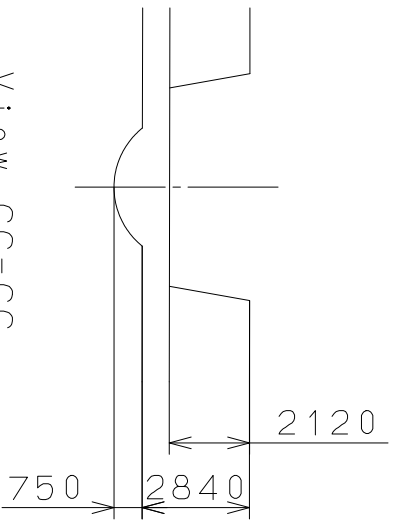
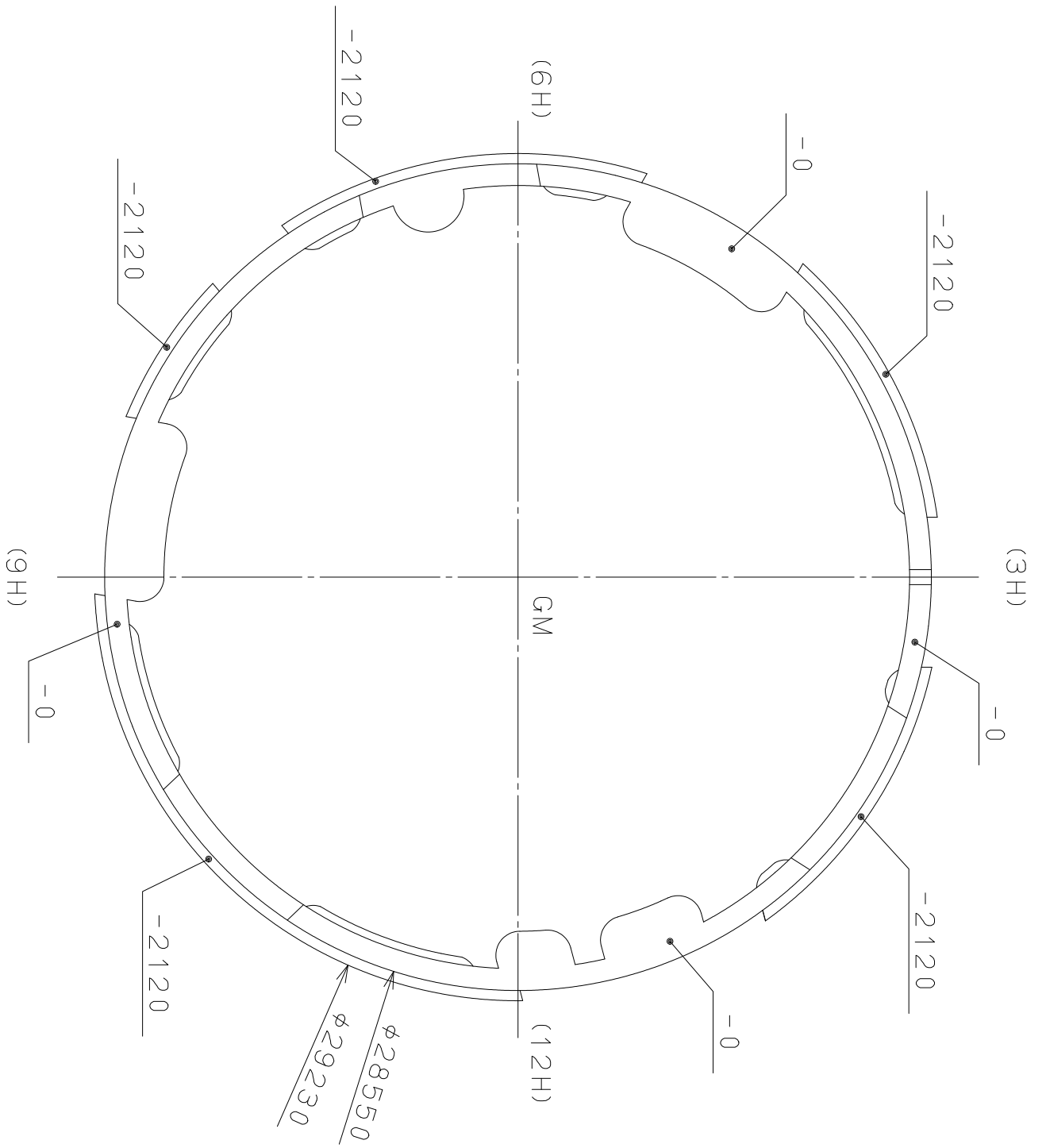
This drawing is provisional and subject to our reconfirmation and/or revision without notice.



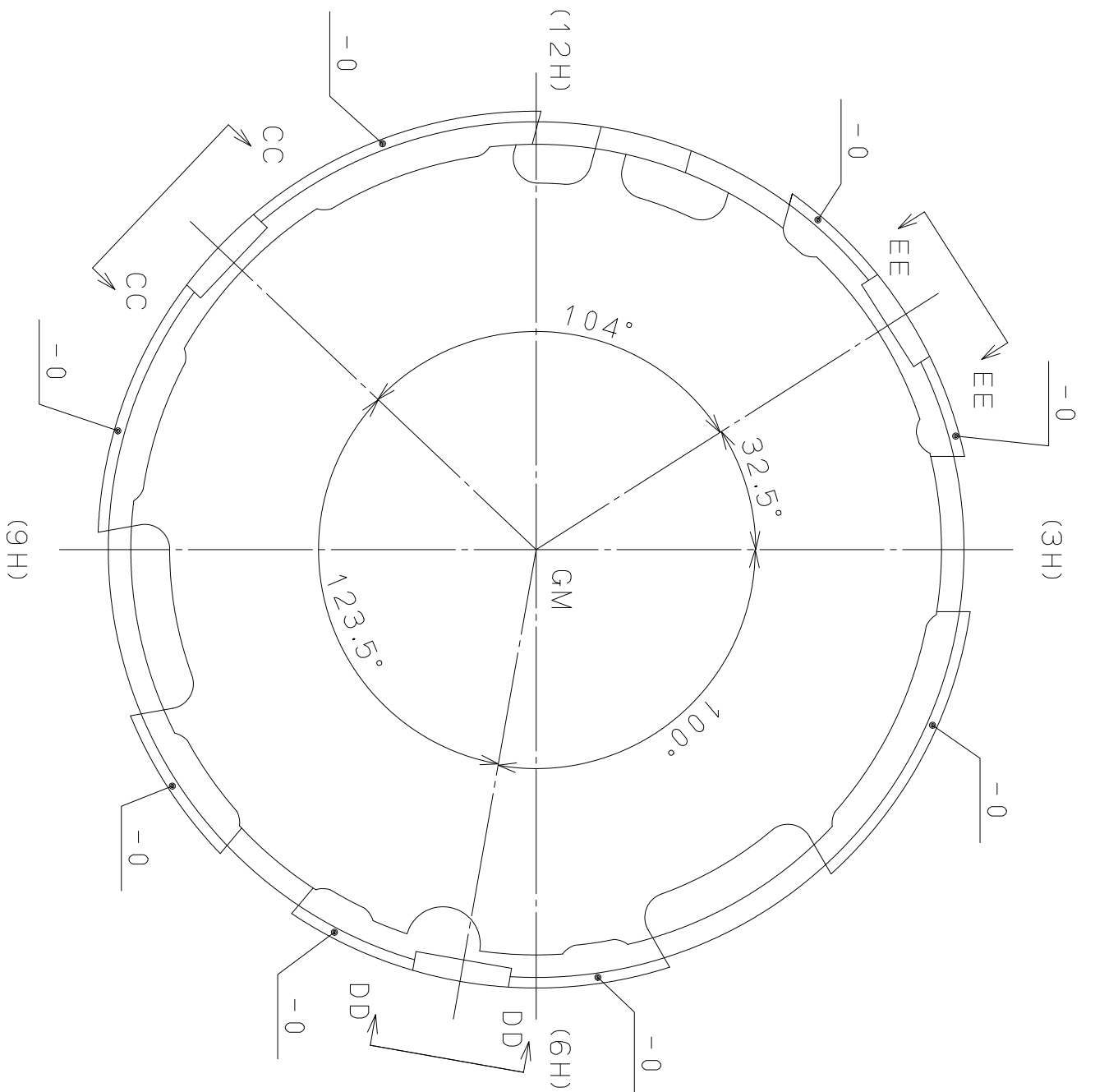
△			Quantity		Cal.NO.:
△			Unit	1/1000mm	
△			Scale	15:1	Parts No.:
△			Date		065-212
△			Drawn		
Mark	Date	Description	Appr.	Checked	Name:
		Alterations	Approved	N. Suzuki	SETTING STEM
Material					Drawing No.: 2120S001
Heat Treatment			General Tolerances	<b>MIYOTA</b> CITIZEN WATCH CO., LTD. TOKYO, JAPAN	
Hardness			Dimensions		
Plating			Angles		

F E D C B A

1 2 3 4 5 6 7 8



View CC-CC  
DD-DD, EE-EE



△	Quantity	1/1000 mm	Cal. NO.:
△	Unit	5 : 1	Parts No.:
△	Scale	Drawn	500-710
△	Date	Checked	Name:
△	Date	Approved	Casings Holder
△	Date	Drawn	Drawing No.: 8200E002
△	Date	Checked	Name: N. Suzuki
△	Date	Approved	
Material	Alterations	Approved	
Heat Treatment			
Hardness			
Plating			
	General Tolerances		
	Dimensions		
	Angles		

**MIYOTA**  
CITIZEN WATCH CO., LTD. TOKYO, JAPAN